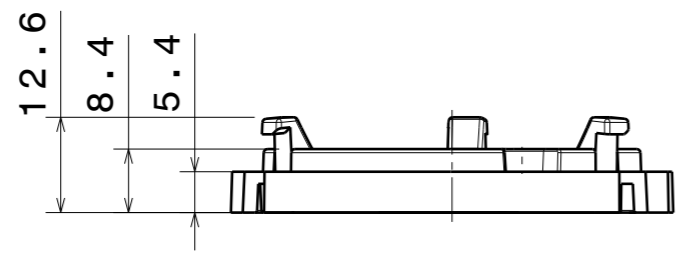
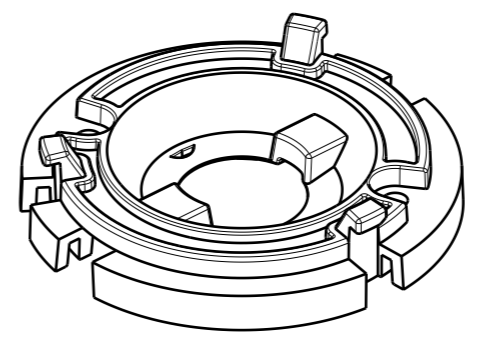


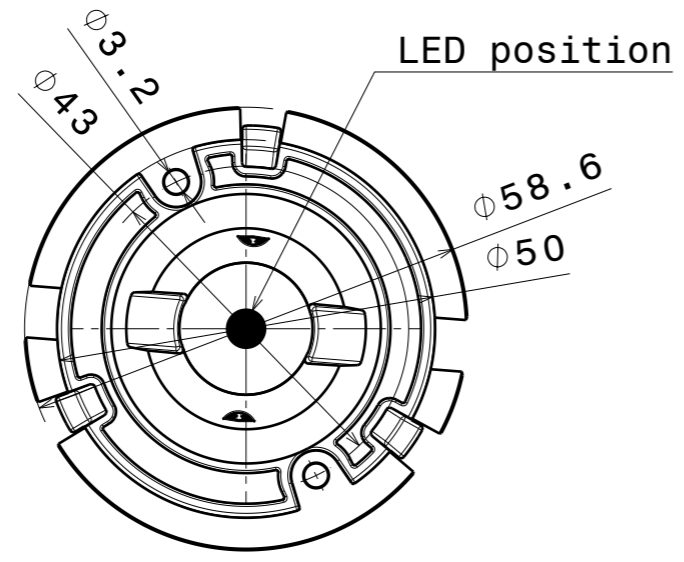
H G F E D C B A



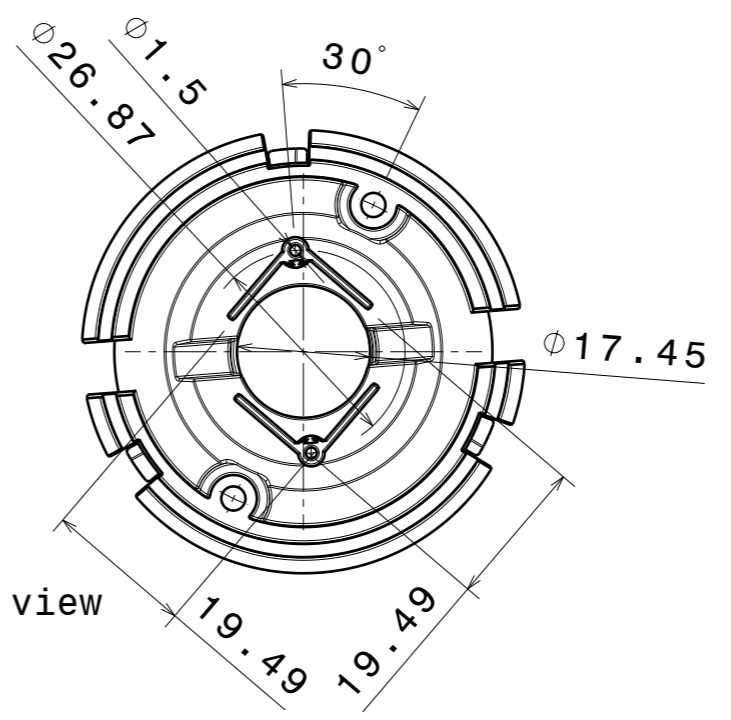
Front view



Isometric view



Top view



Bottom view

INDEX	PART NO	DESCRIPTION	MATERIAL	COLOUR
1	C12691	LENA-STD-BASE-CLL030	PC	white

Tolerances if not otherwise shown
According to DIN ISO 2768-1
Linear measures: class C
According to DIN ISO 2768-2
Form and position: class L

LEDiL LediL Oy
Salorankatu 10
FIN 24240 SALO
Finland

THIRD ANGLE PROJECTION:

DRAWING TITLE
C12691_LENA-STD-BASE-CLL030

This drawing is the property of LEDiL Oy. It may not be reproduced, copied or communicated without a written agreement with LEDiL Oy.

SIZE	PART NUMBER
A3	C12691

SCALE	1:1	WEIGHT	9,33 g	SHEET	1/1
-------	-----	--------	--------	-------	-----

H G B A